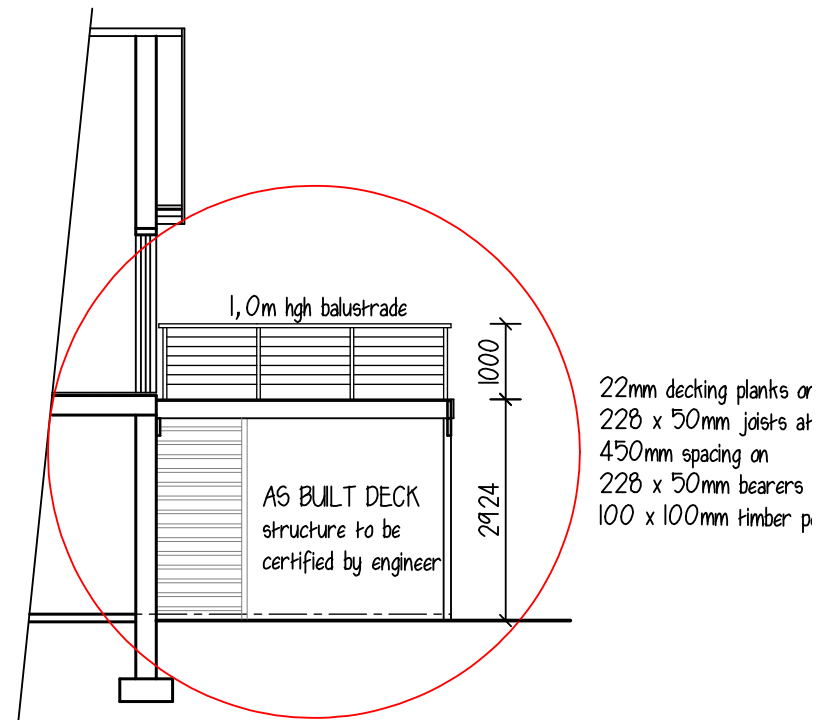
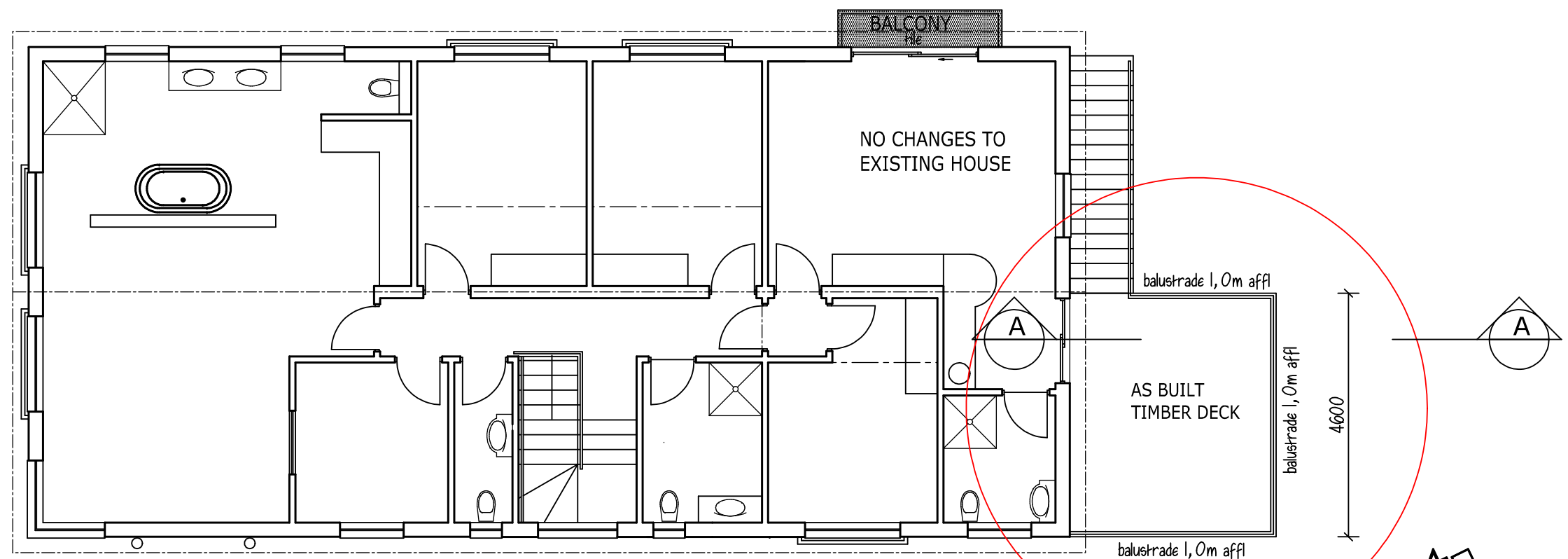
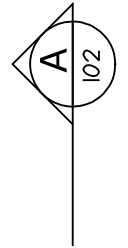


NOTES:



SECTION A-A



FIRST FLOOR PLAN

NO CHANGES TO ELECTRICAL OR PLUMBING

 **Frankenfeld & King**  
ARCHITECTS  
The Art Centre Montagu St PO Box 3472 Knysna 6570  
tel/fax: 044 382 7905 cell:082 338 9210  
email: andrew@fkarchitects.co.za

**HOUSE STEENKAMP**  
**AS-BUILT DECK**  
**ERF 1918 LEISURE ISLE**  
**KNYSNA**

PROJECT No.: 1477 REVISION  
DWG No.: 103 - DEPARTURE  
SCALE: 1:125  
DATE: APR 2022

This drawing and design is copyright and must not be reproduced in part or in whole without prior written consent. Contractors must verify all dimensions on site before commencing work or preparing shop drawings.